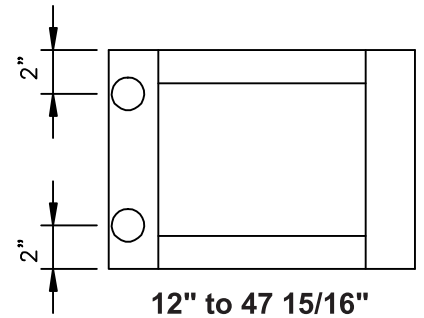
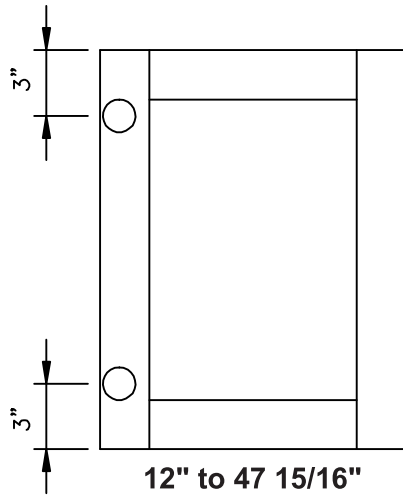
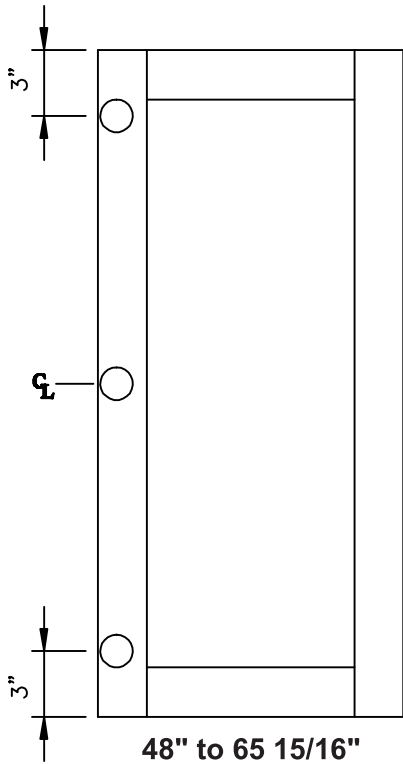


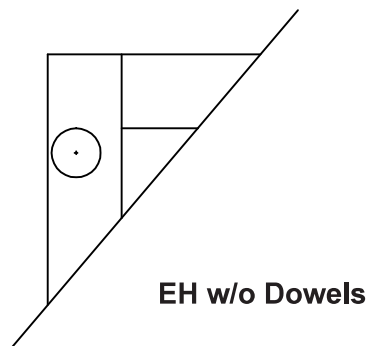
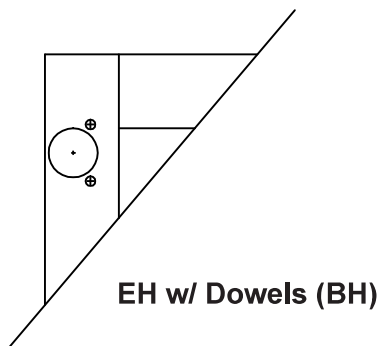
Hinge Options



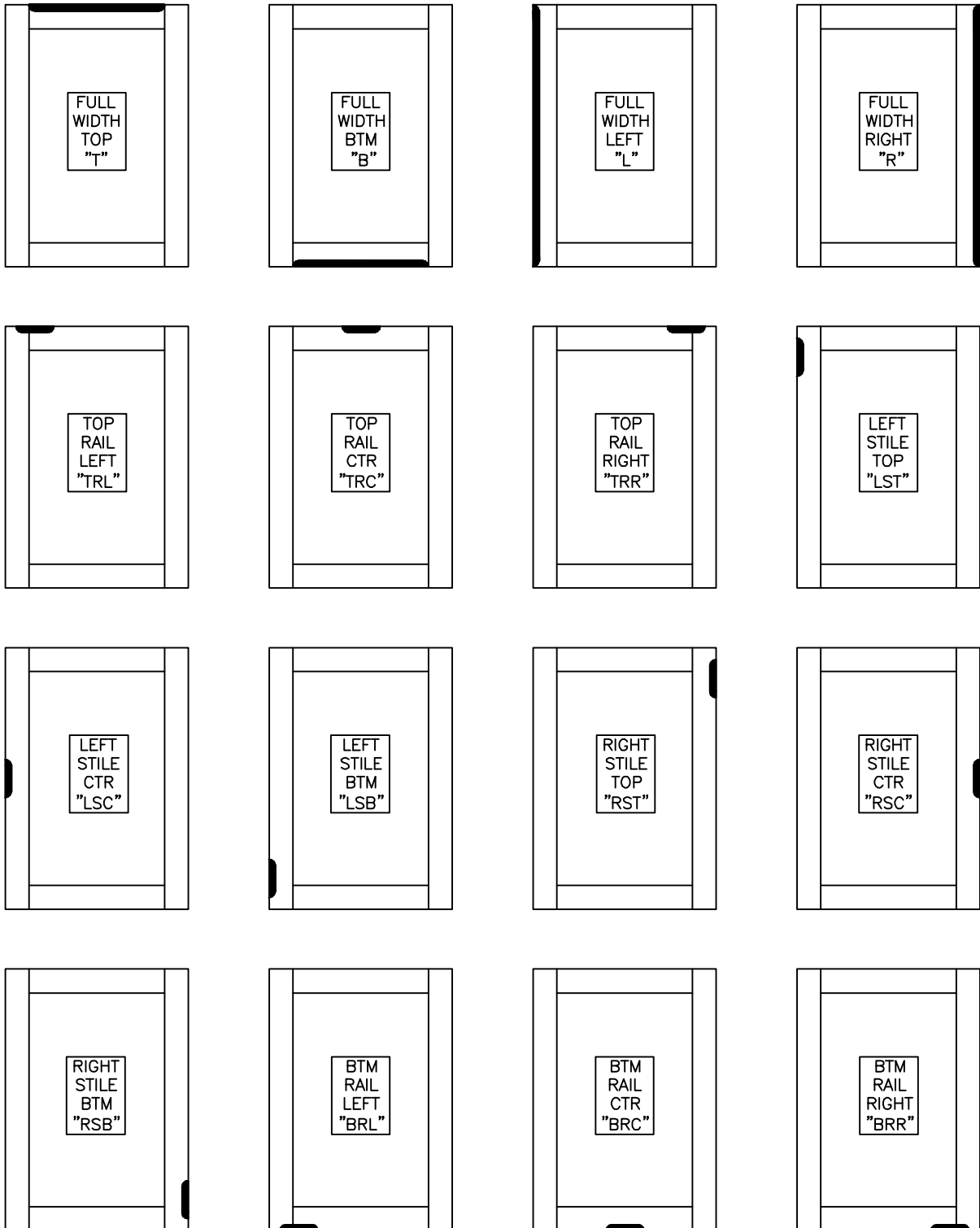
All doors 66" and over receive four hinge bores.

Standard Hinge Boring

Cup Blum (BH) and European (EH): Standard distance from edge is 3mm, 1/2" deep. Hinge placement as shown above. If a custom distance from edge is needed, please inform a customer care representative.

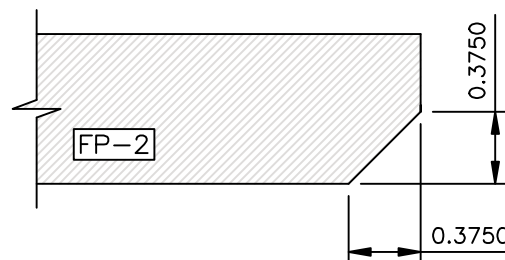
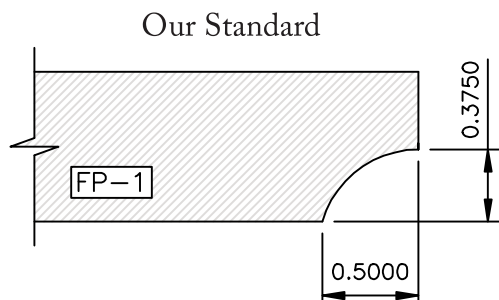


Fingerpull Options



Minimum Door Height and Width for fingerpulls is 6 ½" x 6 ½".

Fingerpull Options



Please use abbreviations below and enter in the special notes column on order form to specify placement of 4" fingerpulls.

All pulls are viewed from the face of doors and drawer fronts.

	Right	Center	Left
Top Rail	TRR	TRC	TRL
Bottom Rail	BRR	BRC	BRL
	Top	Center	Bottom
Right Stile	RST	RSC	RSB
Left Stile	LST	LSC	LSB

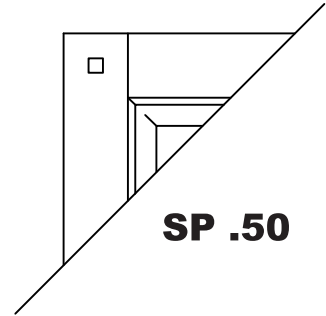
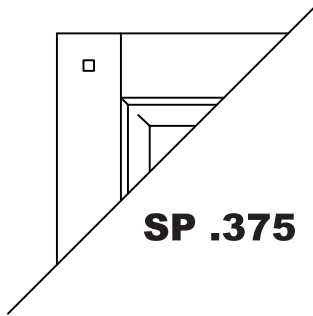
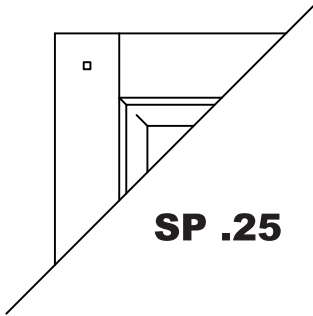
Please use abbreviations below and enter in the special notes column on order form to specify placement of full length fingerpulls.

All pulls are viewed from the face of doors and drawer fronts.

Top	T
Bottom	B
Right	R
Left	L

Minimum Door Height and Width for fingerpulls is 6 ½" x 6 ½".

Accent Plugs, Nails and Clavos



Above is an example of plug, nail, and clavos placement. We are always ready to customize for any need that may arise. All plugs are sanded flush, unless otherwise specified.